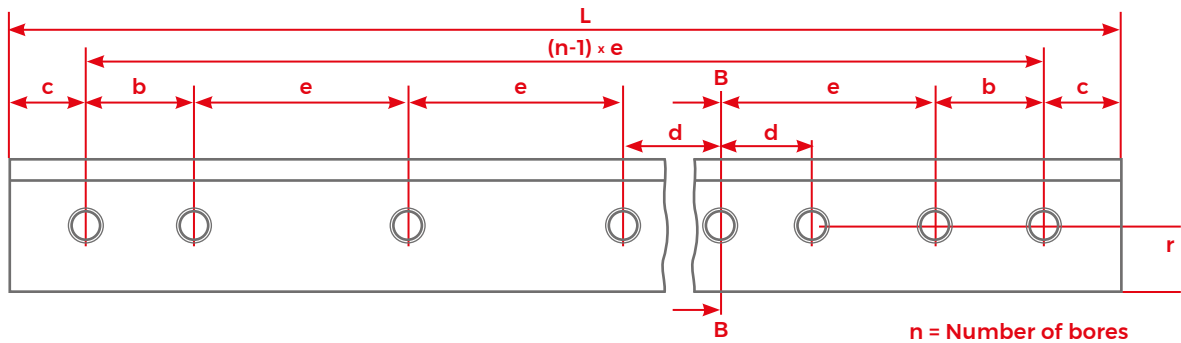




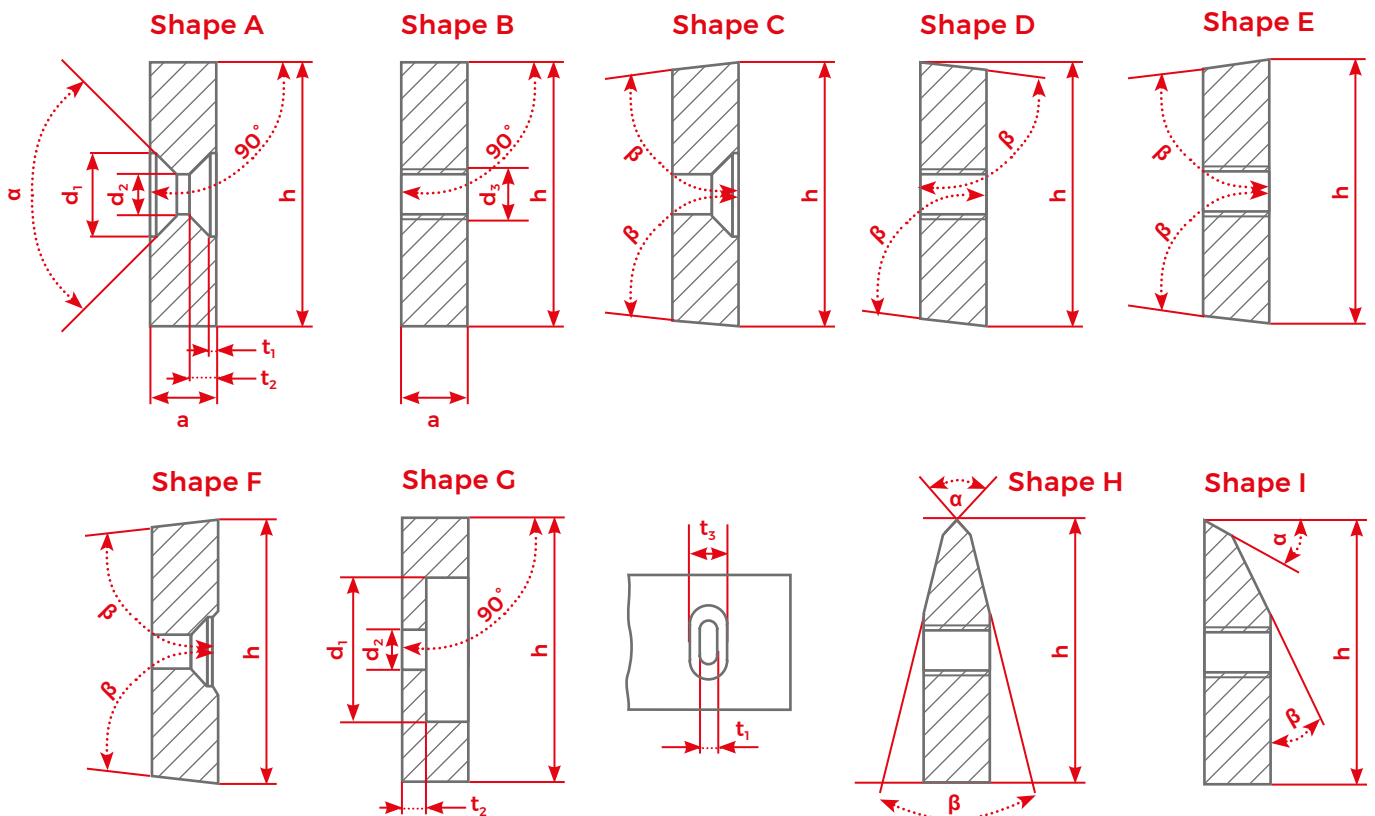
# Straight knives

To help us process your straight knife enquiry, please complete the following table and send the form to [office@hoppeschliff.de](mailto:office@hoppeschliff.de).

## Dimensions:



## Cross sections B - B:



Please complete:	Shape no.	L	h	r	a	n	$d_1$	$d_2$	$d_3$
		$t_1$	$t_2$	$t_3$	b	c	e	$\alpha$	$\beta$



# Straight knives / cutting edge geometries



01



02



03



04



05



06



07



08

- 01 Single-sided double bevel
- 02 Single-sided single bevel
- 03 Single-sided single bevel, undercut
- 04 Single-sided single bevel, pre-bevel rounded
- 05 Single-sided double bevel, flat thinned out
- 06 Double-sided single bevel
- 07 Double-sided double bevel
- 08 Grind blunt 90°

<b>Please complete:</b>	<b>Number</b>				
Cutting edge geometry					
		Tool steel (DIN 1.2379)	High-speed steel (DIN 1.3343)	Stainless/acid-resistant steel (DIN 1.4034/ 1.4112)	Tungsten carbide (Widia)
Material (please cross box)					
Quantity/batch					

**Your contact details:**

Company \_\_\_\_\_ Contact person \_\_\_\_\_

Phone \_\_\_\_\_ E-Mail \_\_\_\_\_

Address \_\_\_\_\_